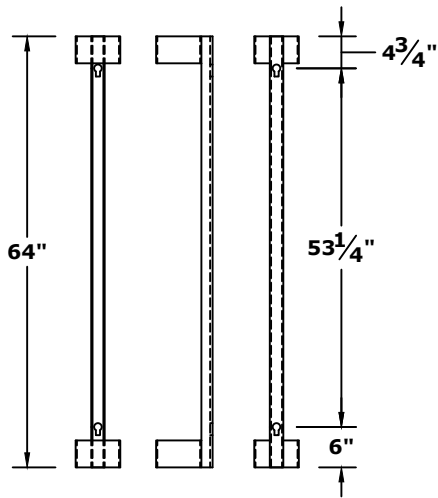


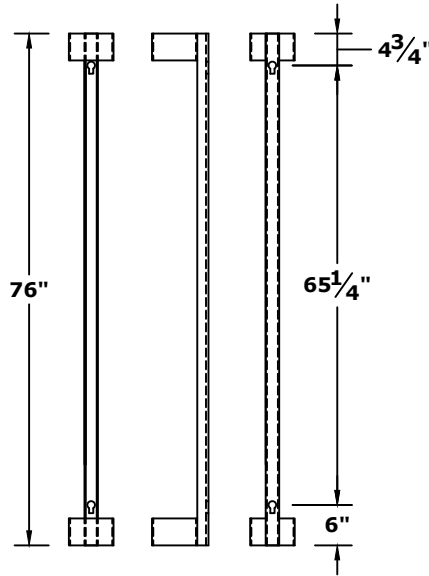
# QUICK ATTACH HINGE

2" x 1" x 3/16" Channel - ASTM A36 (2.32 lbs/ft)

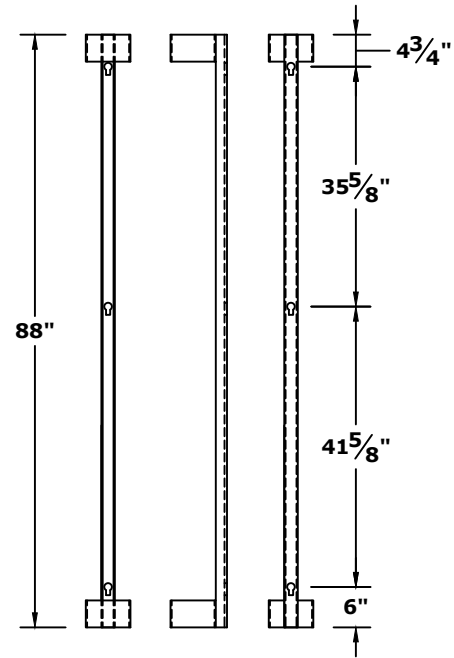
- Standard Deduction - 1 5/8" per Quick Attach Hinge
- Standard 4" , 6 5/8", or 8 5/8" Hinge Rings
- All Hinge Rings are 4" Tall, 1/4" Thick
- Installed with 5/8"-11 x 3 1/2" Carriage Bolts, 5/8" Lock Washer & 5/8" Grade 5 Nuts



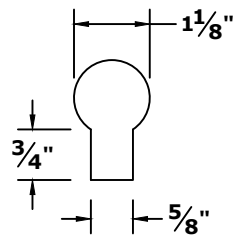
6' Quick Attach Hinge



7' Quick Attach Hinge



8' Quick Attach Hinge



Key Hole Dimensions

General Notes

No.	Revision	Date

Project Name and Address

Office:

DWG#

Date 2/13/2019



401 Pafetown Road Goldsboro, NC 27530 (919) 739-7517